



Appearance & Shape: To be free from any defect such as flow, burrs, unevenness etc; as per IEC standards

Effective parameters irrespective of material grade (per set)

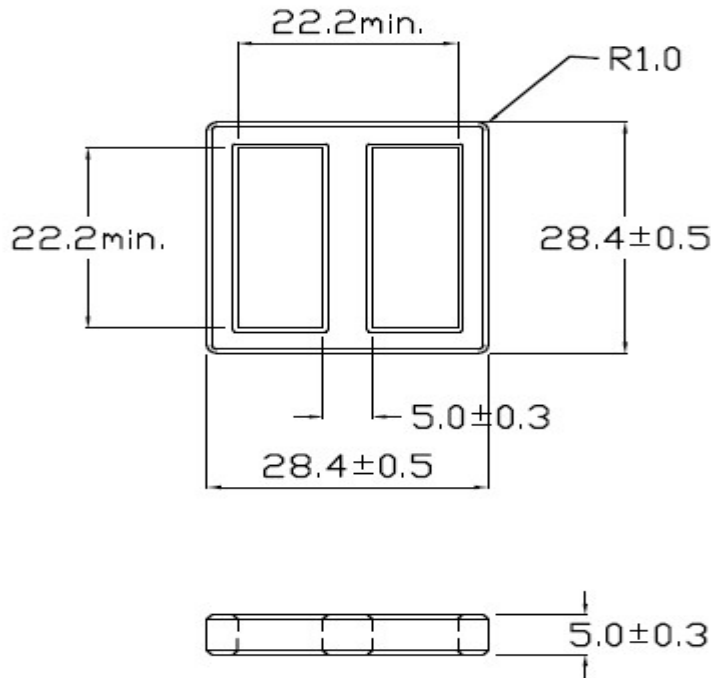
Parameter	Value	Unit
Effective Length (L_e)	70.0	mm
Effective Area (A_e)	27.0	mm ²
Effective Area (A_{Min})	27.0	mm ²
Effective Volume (V_e)	1972	mm ³
Approx. Weight (without gap)	9.5	g/set



ET2828 Un-gapped (OL)

Test Conditions: 10kHz/300mV/CFR COIL N=01,Lo=Zero/25°C

Material Grade	Initial Permeability (μ_{iac})	AL Value (nH)	Ordering code
CF195	5000 ±20%	2400 +30%/-20%	CF195 ET2828 OL
CF197	7000 ±20%	3400 +30%/-20%	CF197 ET2828 OL



Remarks: Value of "G" is Zero (0) for Un-Gapped Cores, for Gapped Cores the value of "G" varies as per the Gap/AL value

For general terms and conditions please visit

http://www.cosmoferrites.com/Downloads/Downloads/bcb70e7c-ae33-40ec-a881-0d5120db57b6_GTC.pdf

Regd. Office & Works: Jabli, Distt. Solan, Himachal Pradesh – 173 209 (India)

E-mail: sales@cosmoferrites.com